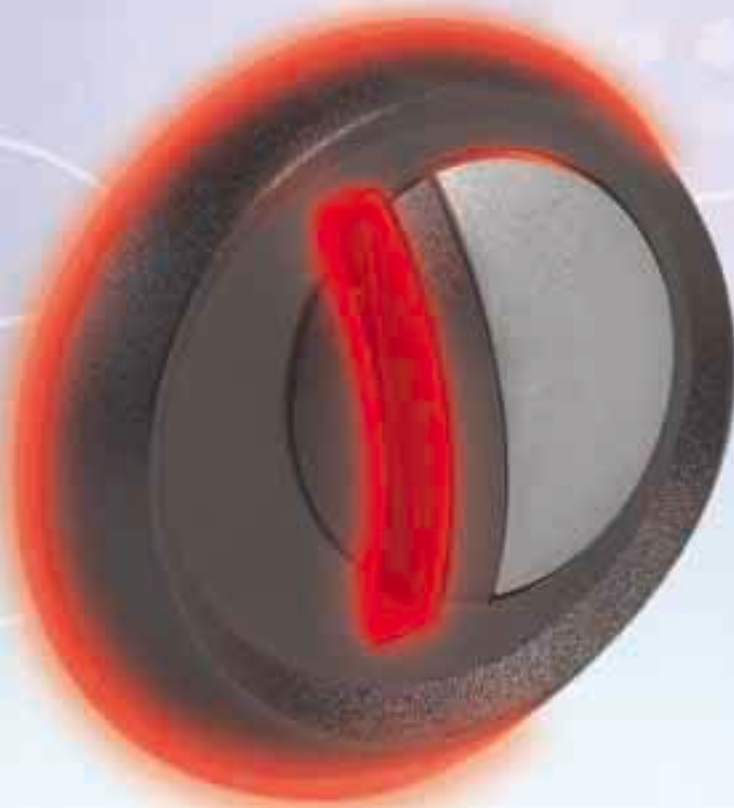


Oval Bezel

Fashion meets function with Money Controls design



The **Oval Bezel** is made from ruggedised engineering plastics and is the ideal accessory for our versatile, high-performance SR5 coin Acceptor (See SR Series data sheet, CA001). When supplied in combination they represent exceptional acceptance and the most cost-effective offer available anywhere today.

This single coin entry accessory is available in a range of build options, meeting high demand for an aesthetically pleasing product, which uses a soft curved style and illumination.

The **Oval Bezel** is also an excellent space-saving alternative to less adaptable products on the market as its small body enables the bezel to be fitted into confined spaces. Quick and easy to fit, Oval Bezel offers complete flexibility for positioning on the glass, making it suitable for multiple applications.

New for 2003 is the attractive, illuminated, space-saving Oval Bezel, available in the latest solid and translucent materials – or as a combination to produce a halo effect around the button base of your machine for a variety of visual effects.

Key Benefits

- An aesthetically pleasing product to meet your design needs
- Space Saving alternative while creating easy access for player
- Quick and easy to fit anywhere on the machine
- Eye catching to game player.

Key Features

- Available in a wide range of solid and translucent materials
- New soft curved ergonomic design
- Available with bulb illumination, through standard 5mm bulb holder
- Ruggedised engineering plastics.

EUROPE

UK (Group Headquarters)

T: +44 (0)161 678 0111
 E: sales.uk@moneycontrols.com
 F: +44 (0)161 626 7674

GERMANY

T: +49 40399 2630
 E: sales.de@moneycontrols.com
 F: +49 40390 4582

SPAIN

T: +34 933 002 496
 E: sales.es@moneycontrols.com
 F: +34 933 002 608

THE AMERICAS

CLEVELAND

T: +1 440 946 3000
 E: sales.usa@moneycontrols.com
 F: +1 440 946 9829

CHICAGO

T: +1 847 391 9900
 E: sales.usa@moneycontrols.com
 F: +1 847 391 9909

LAS VEGAS

T: +1 702 739 8263
 E: sales.usa@moneycontrols.com
 F: +1 702 739 1911

BRAZIL

T: +55 51 3333 0617
 E: sales.br@moneycontrols.com
 F: +55 51 3333 9866

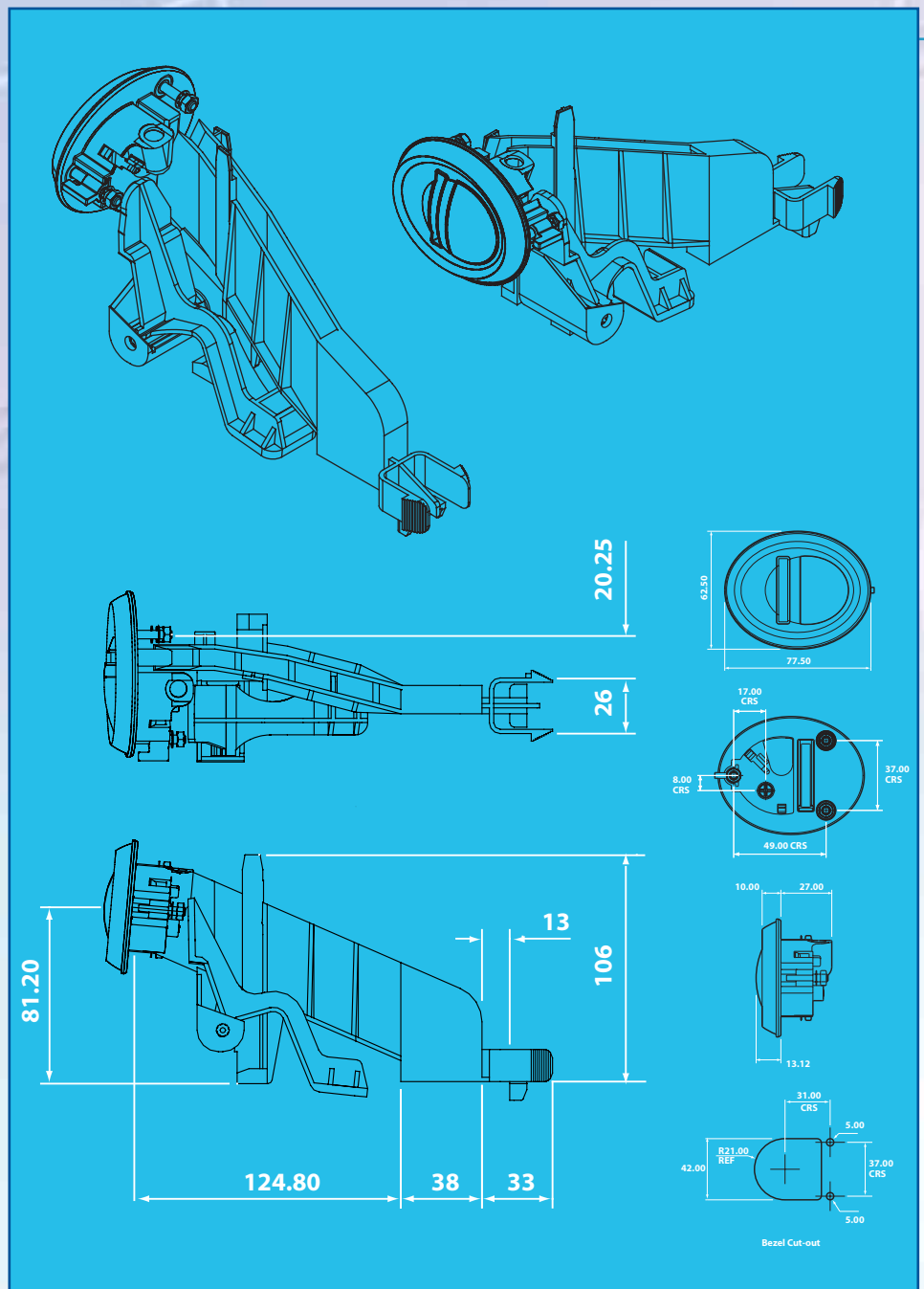
VENEZUELA

T: +58 412 332 1939
 E: sales.ve@moneycontrols.com
 F: +58 212 976 2502

ASIA PACIFIC

AUSTRALIA

T: +02 96835033
 E: sales.au@moneycontrols.com
 F: +02 96835055



For full technical details please refer to the appropriate Technical Manual.
 E-mail: technical.uk@moneycontrols.com
technical.usa@moneycontrols.com

For further information please contact your nearest Money Controls office either by telephone, e-mail or fax. Alternatively, you can visit our website where you will find a wide range of information on our company and products:

www.moneycontrols.com

© Money Controls Limited 2004. All rights reserved

This publication is issued to provide outline information only which (unless agreed in writing by Money Controls Limited) may not be used, applied or reproduced for any purpose, or form part of any order or contract or be regarded as a representation relating to the product or service concerned. Money Controls Limited reserves the right to alter without notice the specification, design or conditions of supply of any product or service.

Money Controls and the Money Controls logo are trademarks of Money Controls Limited, as are the following: Oval Bezel and SR5.

Publication Code: OA001/C/0604 Printed in the UK

OVAL BEZEL □ □ □ □ □ □ □ □ □ □ □ □ □ □ □ □